

Scilab Manual for
Digital VLSI Lab with top to bottom approach
by Dr Sandhya Save
Electronics Engineering
Thakur College Of Engineering And
Technology, Kandivali¹

Solutions provided by
Dr Sandhya Save
Electronics Engineering
Thakur College Of Engineering And Technology, Kandivali

June 19, 2026

¹Funded by a grant from the National Mission on Education through ICT, <http://spoken-tutorial.org/NMEICT-Intro>. This Scilab Manual and Scilab codes written in it can be downloaded from the "Migrated Labs" section at the website <http://scilab.in>

Contents

List of Scilab Solutions	3
1 Design of NAND gate using CMOS technology	5
2 Design of NOR gate using CMOS technology	7
3 Design of 4:1 multiplexer IC	9
4 Design of 8:1 multiplexer IC using 4:1 mux tree	11
5 Design of 1:8 demultiplexer IC	13

List of Experiments

List of Figures

1.1	NAND Gate	6
1.2	NAND Gate	6
2.1	NOR Gate	8
2.2	NOR Gate	8
3.1	Mux4	10
3.2	Mux4	10
4.1	multiplexer	12
4.2	multiplexer	12
5.1	demux	14

Experiment: 1

Design of NAND gate using CMOS technology

This code can be downloaded from the website www.scilab.in

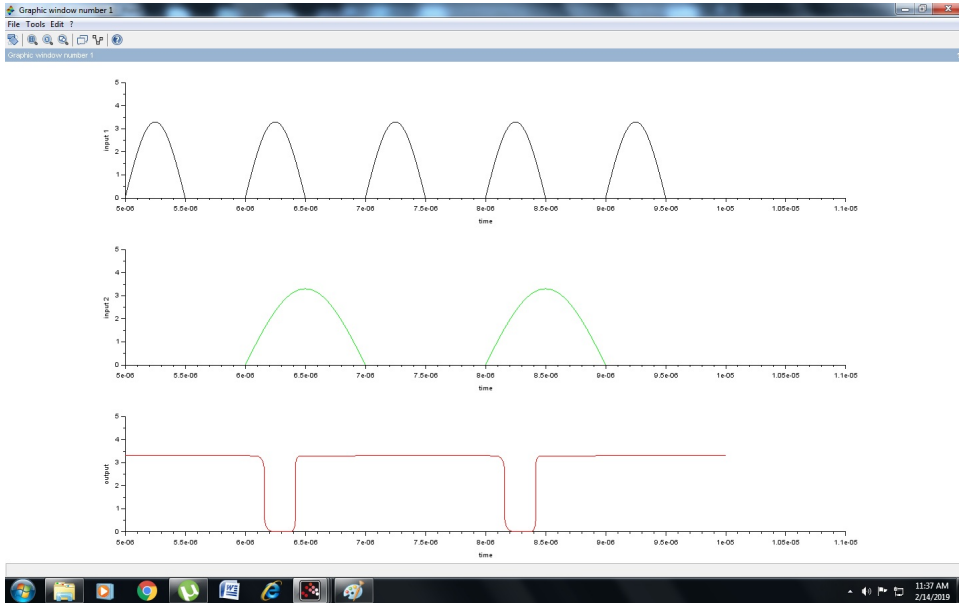


Figure 1.1: NAND Gate

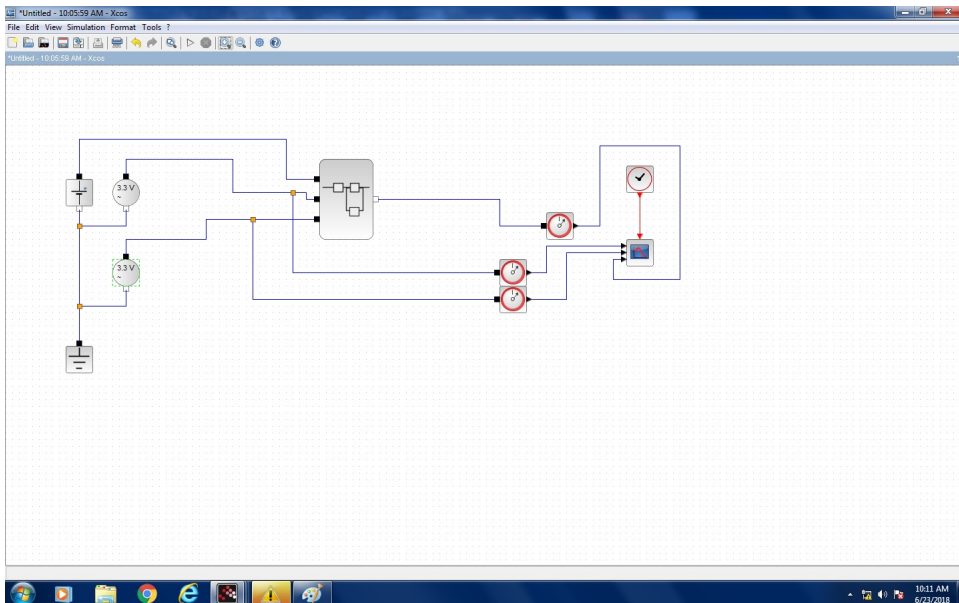


Figure 1.2: NAND Gate

Experiment: 2

Design of NOR gate using CMOS technology

This code can be downloaded from the website www.scilab.in

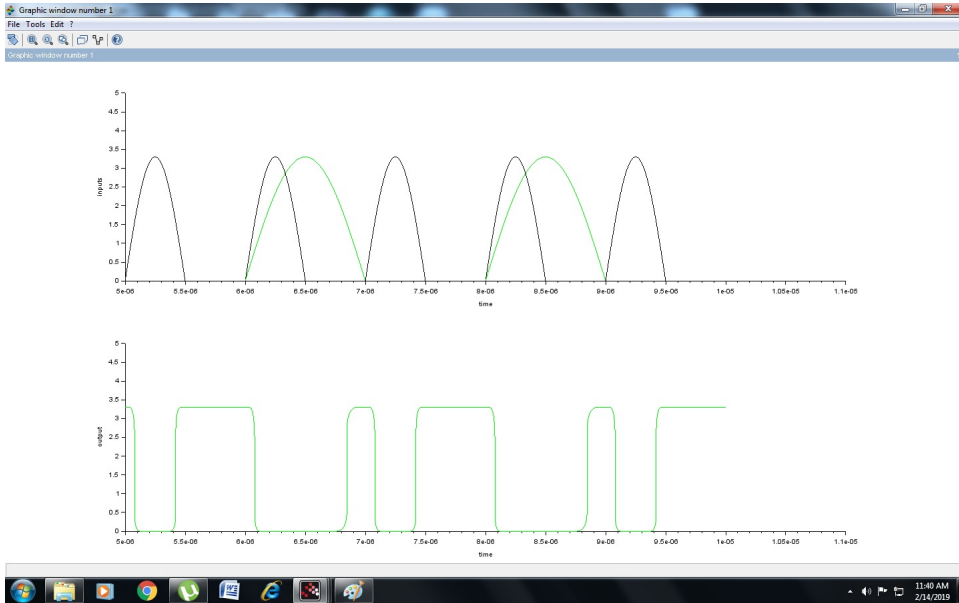


Figure 2.1: NOR Gate

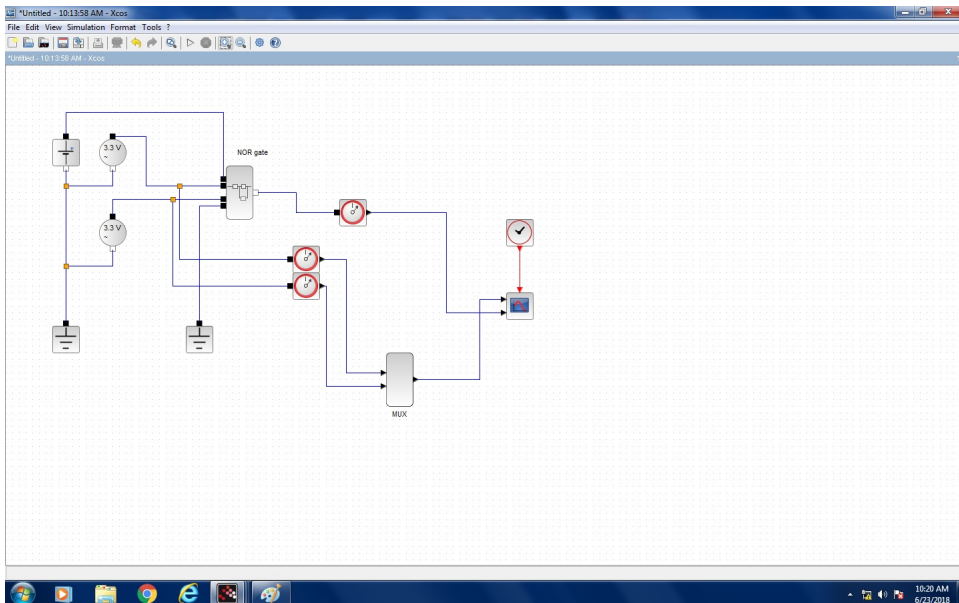


Figure 2.2: NOR Gate

Experiment: 3

Design of 4:1 multiplexer IC

This code can be downloaded from the website www.scilab.in

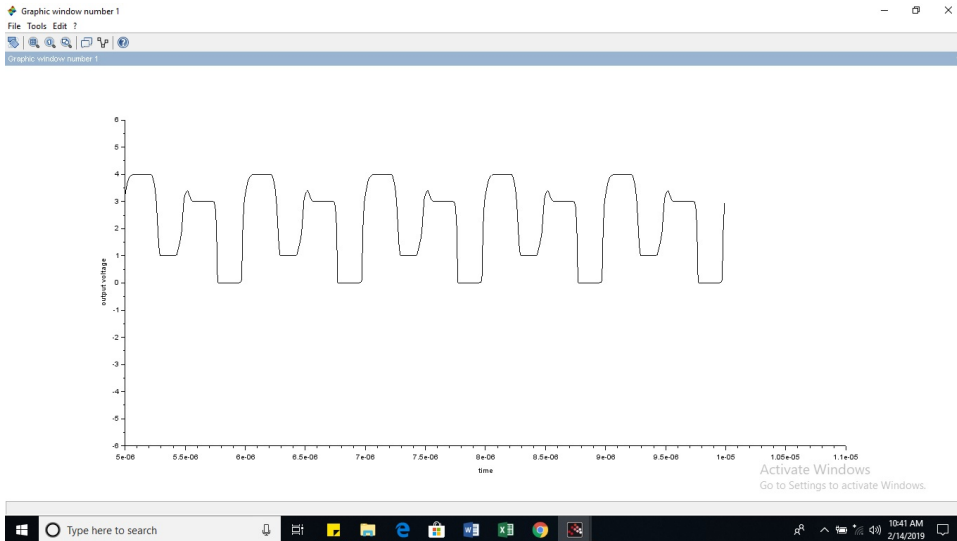


Figure 3.1: Mux4

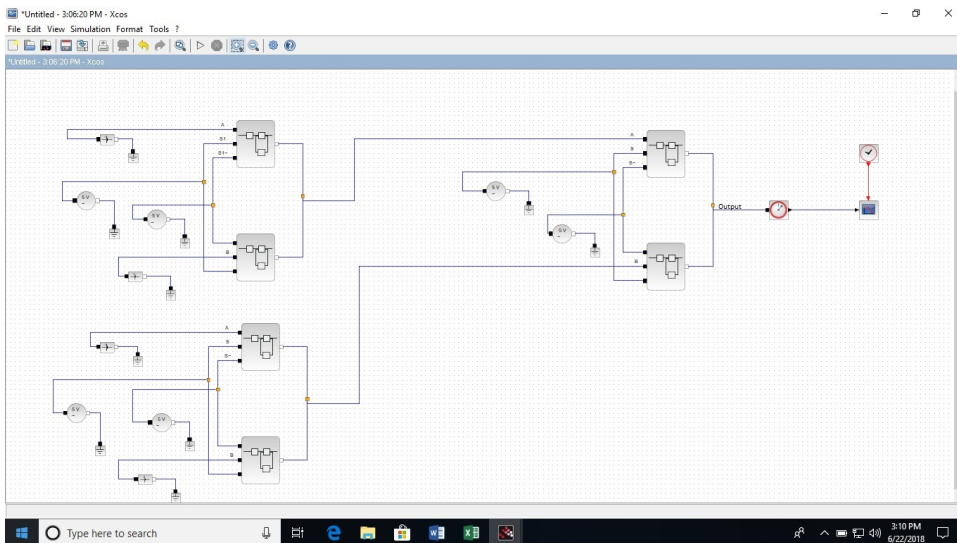


Figure 3.2: Mux4

Experiment: 4

Design of 8:1 multiplexer IC using 4:1 mux tree

This code can be downloaded from the website www.scilab.in

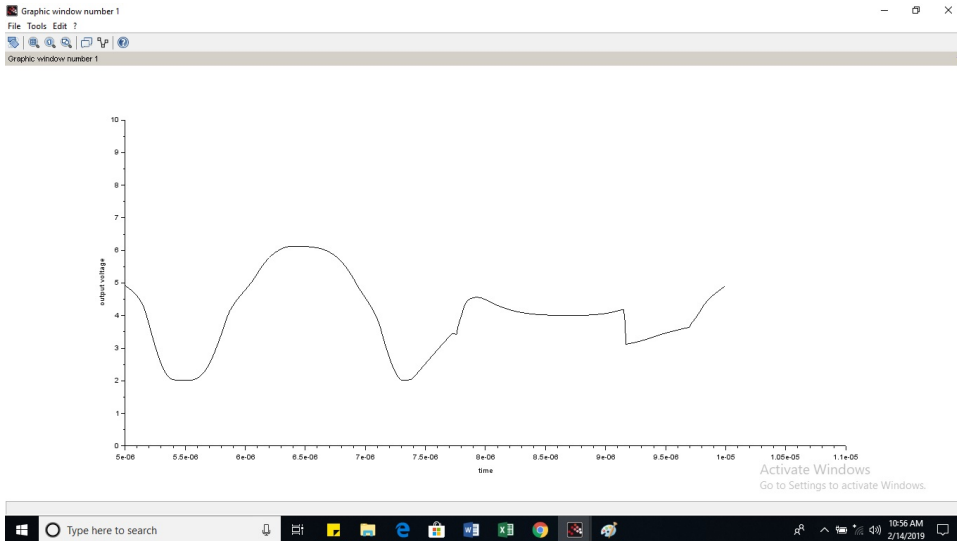


Figure 4.1: multiplexer

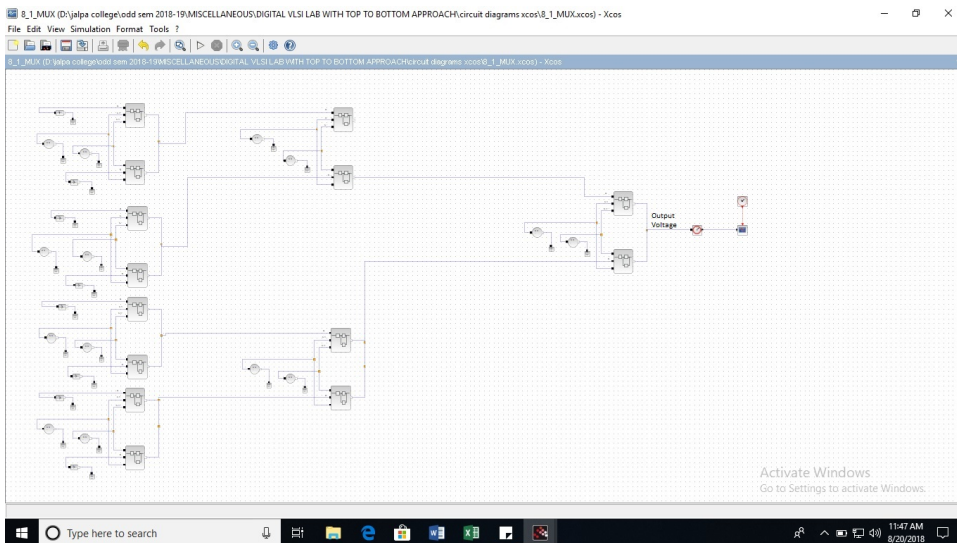


Figure 4.2: multiplexer

Experiment: 5

Design of 1:8 demultiplexer IC

This code can be downloaded from the website www.scilab.in

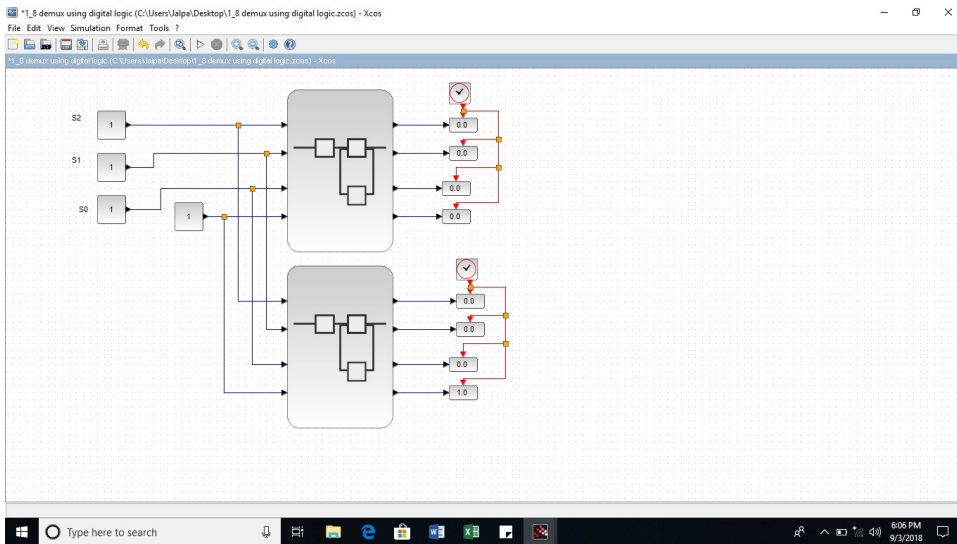


Figure 5.1: demux